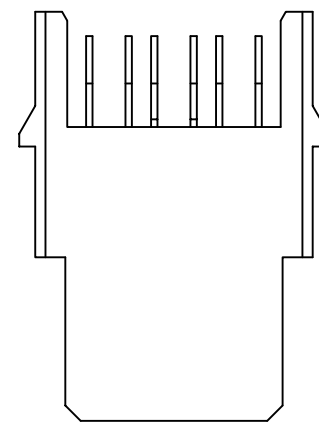
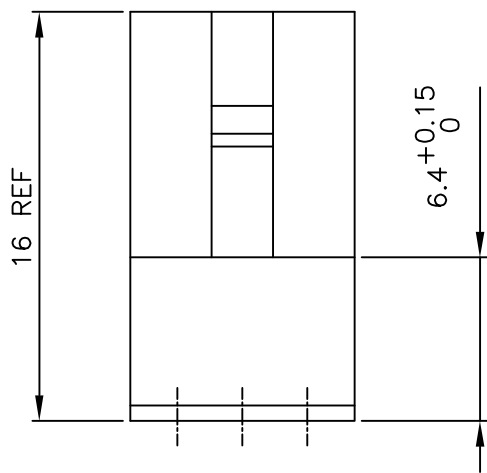
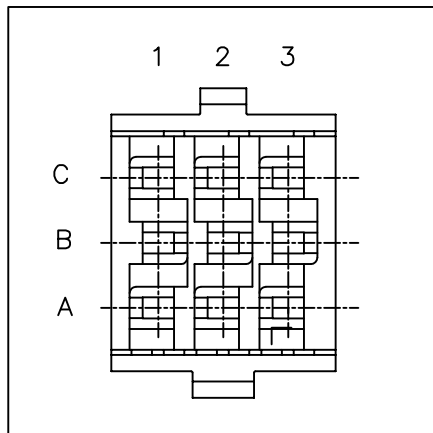


Product number	Loading Pattern			
	ROW	1	2	3
76268-1YZ	c	×	×	×
	b			
	a	×	×	×
76268-3YZ	c	×	×	×
	b	×	×	×
	a	×	×	×
76268-4YZ	c	×	×	×
	b	×	×	×
	a	×	×	×
76268-5YZ	c	×	×	×
	b	×	×	×
	a	×	×	×

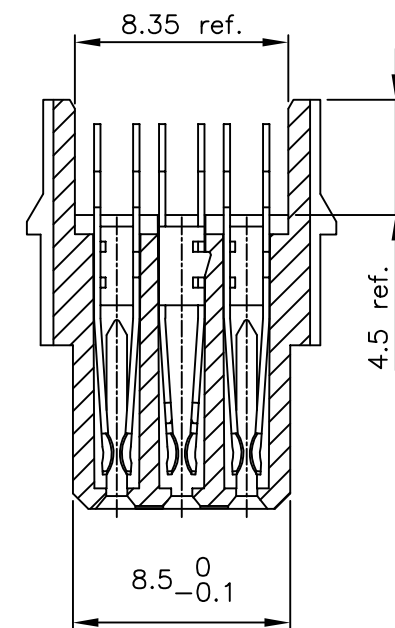
NOTE:-

1. THE "LF" PRODUCTS MEET EUROPEAN UNION DIRECTIVES AND OTHER COUNTRY REGULATIONS AS DESCRIBED IN GS-22-008.
2. LEAD FREE OR RoHS DIRECTIVE LABELLING TO BE PROVIDED AS PER GS-14-920 FOR LEAD FREE VERSION.

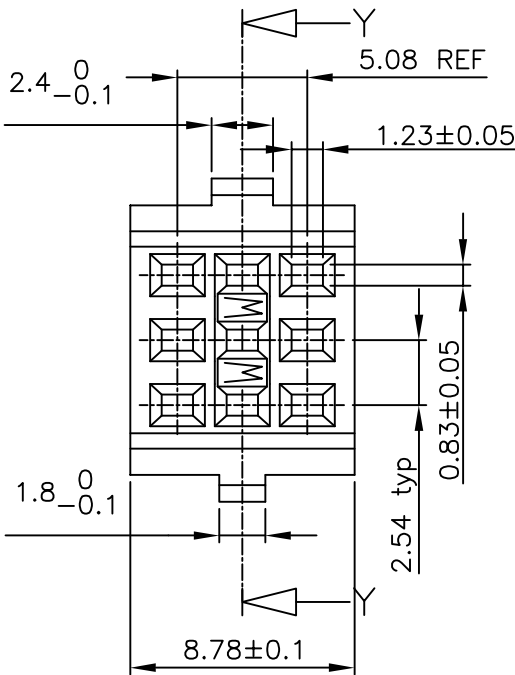
TOPVIEW FOR LOADING PATTERN



Section Y-Y



76268-X91	26	1.25 um Au min over 3.0 um Ni	0.03 um Au min over 0.1-0.2 um Ni
76268-X52	30	1.25 um Au min over 3.0 um Ni	0.1-0.2 um Ni
76268-X51	26	1.25 um Au min over 3.0 um Ni	0.1-0.2 um Ni
76268-X42	30	2.0 um Au min over 3.0 um Ni	0.1-0.2 um Ni
76268-X41	26	2.0 um Au min over 3.0 um Ni	0.1-0.2 um Ni
76268-X22	30	0.5 um Au min over 3.0 um Ni	0.1-0.2 um Ni
76268-X21	26	0.5 um Au min over 3.0 um Ni	0.1-0.2 um Ni
76268-X12	30	1.0 um Au min over 3.0 um Ni	0.1-0.2 um Ni
76268-X11	26	1.0 um Au min over 3.0 um Ni	0.1-0.2 um Ni
76268-X02	30	3.0 um Au min over 3.0 um Ni	0.1-0.2 um Ni
76268-X01	26	3.0 um Au min over 3.0 um Ni	0.1-0.2 um Ni
PRODUCT CODE YZ	CODE WW see note 3	PLATING CONTACT AREA	PLATING PIERCING AREA



NOTES:

1. MATERIAL HOUSING: POLYESTER 30% GLASS FILLED COLOUR GREY, FLAME RETARDANT PER UL-94-V0
2. MATERIAL CONTACT: PHOSPHOR BRONZE
3. CODE WW ON LEAD IN SIDE OF HOUSING APPLIES TO PIERCING TERMINAL IN RELATION TO AWG SIZE
4. FOR CABLE APPLICATION SEE TA 301
5. "LF" SUFFIX TO THE PRODUCT NUMBER FOR LEAD FREE OR RoHS COMPATIBLE PRODUCTS.

mat'l. code		surface	tolerance	projection	product family
see notes		ISO 1302	ISO 406	ISO 101	BACKPANEL
lfr	ecn no	dr	date	tolerances unless otherwise specified	title
G	H00085	MVI	1990-02-23	angles	CableConnector
H	H20166	MVI	1992-03-31	linear	ASSEMBLY 3x3POS
J	H20241	MVI	1992-06-16	mm	dwg no
K	H30550	MVI	1993-08-04	scale -	sheet 1 of 1
L	I05-0138	MINI	2005-08-08	engr	76268
M	I06-0082	MINI	2006-06-01	chr	AKHEE GEORGE
N	I07-0020	KR	2007-02-06	appd	AKHEE GEORGE
sheet index	revision sheet	N	1		type CUSTOMER Drawing